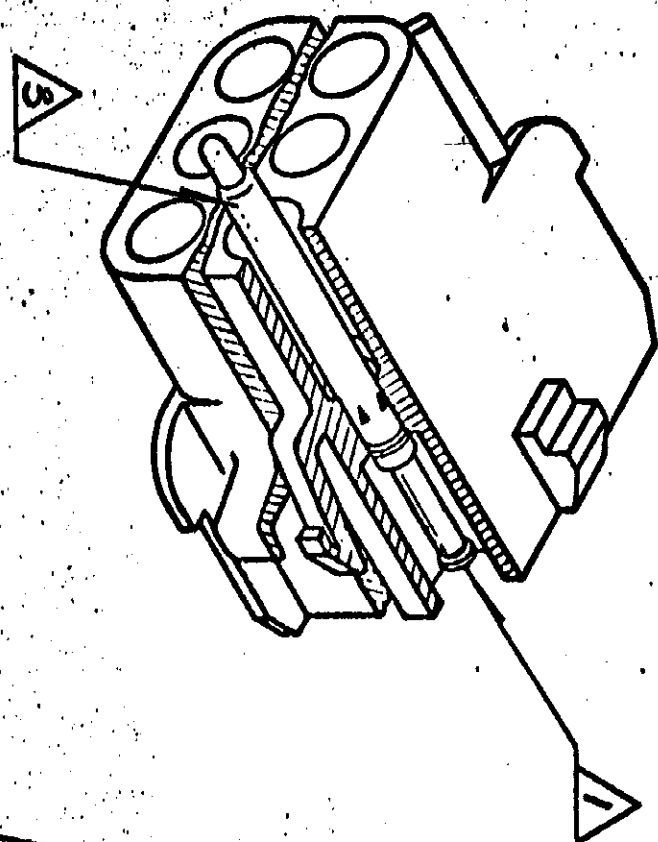
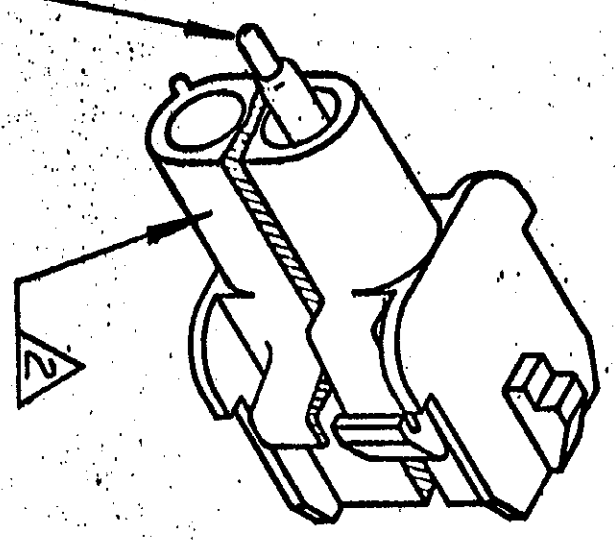


4 DRAWING MADE IN THIRD ANGLE PROJECTION

© COPYRIGHT 1975 BY AMP INCORPORATED, HARRISBURG, PA.  
 ALL INTERNATIONAL RIGHTS RESERVED. AMP INCORPORATED PRODUCTS  
 COVERED BY U. S. AND FOREIGN PATENTS AND/OR PATENTS PENDING.



STYLE II



STYLE I

REVISIONS		DATE	APPROVED
1	REMOVED STICKER PER M-6833	2382	MSF / J.H.
2	AI RESTORATION	4238	ST / K.O.

- 1 SPRING LOADED TEST PROBE
- 2 CAP HOUSING - FLAME RETARDANT NYLON (94V-0 RATING), FINISH-NATURAL
- 3 TEST PROBE RECEPTACLE MATERIAL-BRASS, FINISH-PRE-TIN
- 4 ACCEPTS UNIVERSAL MATE-N-LOK SOCKETS.

STYLE	NO. OF CIRCUITS	PART NO
II	15	1-350849-5
II	12	1350849-2
II	9	350849-9
II	6	350849-6
I	5	350849-5
I	4	350849-4
I	3	350849-3
I	2	350849-2

UNLESS OTHERWISE SPECIFIED DIMENSIONS ARE IN INCHES. TOLERANCES ON: DECIMALS ± ANGLES ±

CONTRACT NO. B.C. WINGARD 81575

DR. B.C. WINGARD

CHIEF ENGINEER - 81575

APPROVED BY: P. F. ...

DESIGN APPRO. OTHER APPRO.

FINISH: 2/3

NAME: UNIVERSAL MATE-N-LOK CAP TEST ASSEMBLY

SIZE: B

CODE IDENT NO: 00779

DRAWING NO: 350849

SCALE: SHEET